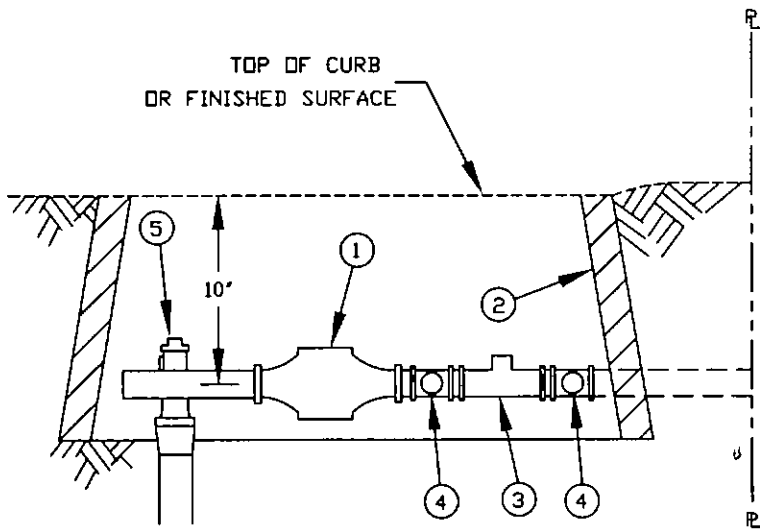
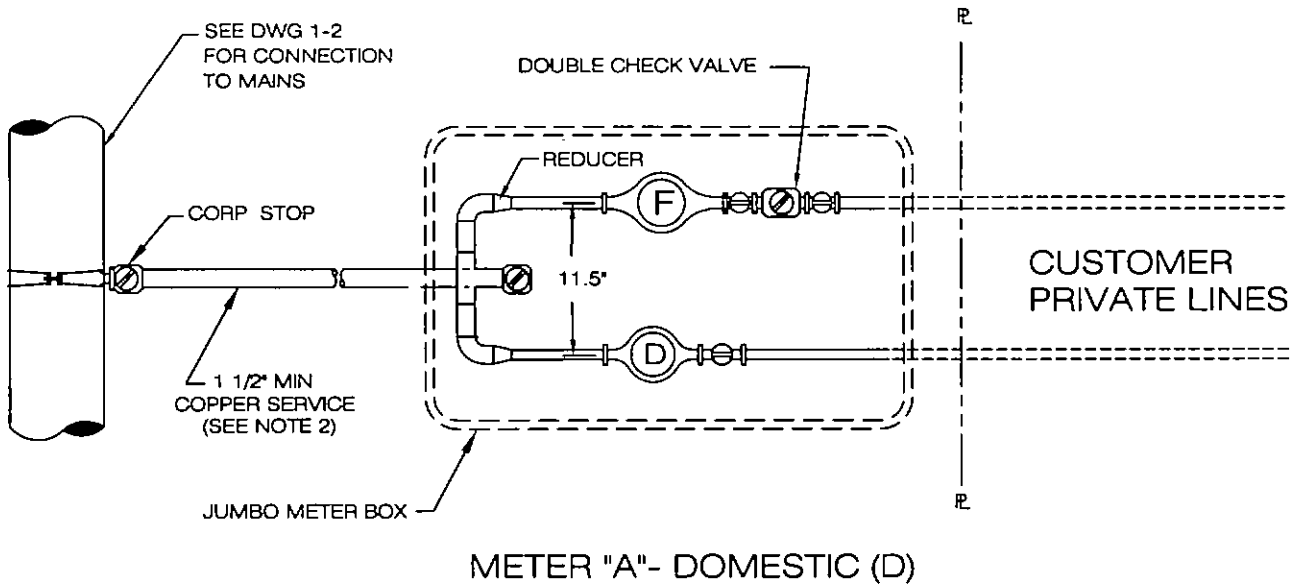


METER "B"- FIRE SERVICE (F)



LEGEND

- ① METER "B" - FIRE SERVICE
- ② JUMBO METER BOX . METER BOXES LOCATED IN TRAVELED WAYS, PAVED AREAS AND SIDEWALKS SHALL BE CONCRETE AND REQUIRE APPROVAL.. ALL OTHERS SHALL BE PLASTIC AND INSTALLED IN LANDSCAPED AREAS.
- ③ APPROVED DOUBLE CHECK VALVE BACKFLOW PREVENTER
- ④ BALL VALVE
- ⑤ LOCK WING ANGLE METER STOP

NOTES:

- 1. TO BE USED FOR DEDICATED RESIDENTIAL FIRE SERVICE CONNECTION ONLY.
- 2. COPPER SERVICE TO BE ONE SIZE LARGER THAN FIRE METER SIZE OR AS APPROVED BY FIRE DEPARTMENT
- 3. FOR METER BOX LOCATIONS, SEE DRAWING 1-4.
- 4. INSTALL CATHODIC PROTECTION PER STD. DWG. 8-14



LEGEND ON PLANS

LAST DRAWING APPROVAL DATE	VISTA IRRIGATION DISTRICT	PATH: Z ENGINEERING\TOMSTDDWGS\1-2A.DWG
	DEDICATED RESIDENTIAL FIRE SERVICE CONNECTION	JOHN AMODEO R. C. E. 31181 <i>John Amodeo</i> DATE 9/26/03
		STANDARD DRAWING 1-2A